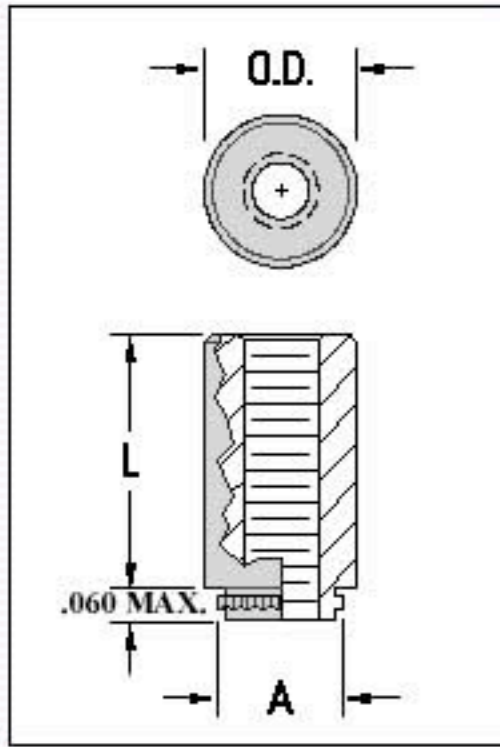


Force-Fit Standoffs

Threaded



Cat. No.	"L" Length	Thread	O.D.	"A"	Mounting Holes
4860	.065 [1,65]	2-56	.219 [5,56]	.165 [4,19]	.147 [3,73] hole for 2-56
4861	.065 [1,65]	4-40	.219 [5,56]	.184 [4,67]	.166 [4,22] hole for 4-40
4862	.125 [3,18]				
4863	.250 [6,35]				
4864	.375 [9,53]				
4865*	.500 [12,7]				
4866	.065 [1,65]	6-32	.281 [7,14]	.231 [5,87]	.213 [5,41] hole for 6-32
4867	.125 [3,18]				
4868	.250 [6,35]				
4869	.375 [9,53]				
4870*	.500 [12,7]				

Material: Stainless Steel

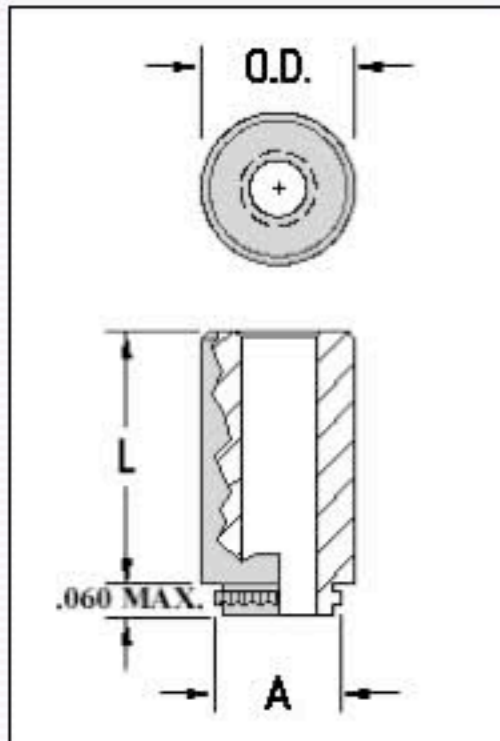
* Thread depth .375 [9,53]

Tolerance on Mounting Holes: +.003/-0.000

[Click to Request Samples](#)

[VIEW PRODUCT OVERVIEW](#)

Clear Hole



Cat. No.	"L" Length	I.D.	O.D.	"A"	Mounting Holes
4850	.065 [1,65]	.116 [2,95] for #4 Screw	.219 [5,56]	.184 [4,67]	.166 [4,22] hole for 4-40
4851	.125 [3,18]				
4852	.250 [6,35]				
4853	.375 [9,53]				
4854	.500 [12,7]				
4855	.065 [1,65]	.143 [3,63] for #6 Screw	.281 [7,14]	.231 [5,87]	.213 [5,41] hole for 6-32
4856	.125 [3,18]				
4857	.250 [6,35]				
4858	.375 [9,53]				
4859	.500 [12,7]				

Material: Stainless Steel

Tolerance on Mounting Holes: +.003/-0.000

[Click to Request Samples](#)

[VIEW PRODUCT OVERVIEW](#)